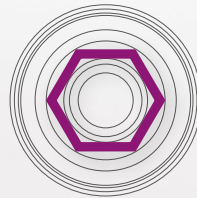




JDENTALCARE
just smile

JD EVOLUTION *S* D 3.25

Safe as always, thinner than ever



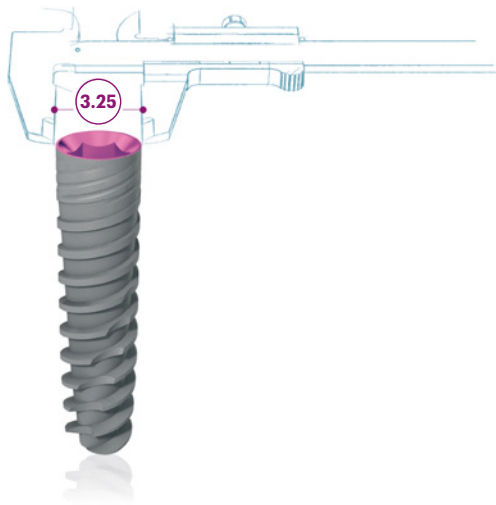
hexagonal connection



Made in Italy

JD EVOLUTION S D 3.25

SAFE AS ALWAYS, THINNER THAN EVER



advantages

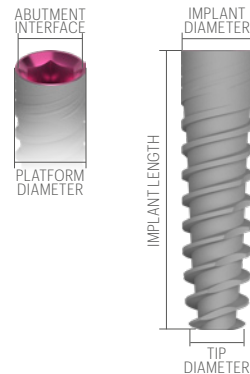
- Cylinder-conical design with self-drilling capability
- Ability to redirect the implant for optimal placement
- Effective in immediate loading
- Integrated Platform Switching
- Useful for narrow interdental spaces and thin ridges
- Single prosthetic connection to make the stock management easier.

IMPLANT MEASURES AND LENGTHS

The JDEvolution S dental implants are available in the lengths shown in the following table:

IMPLANT DIAMETER	LENGTH	TIP DIAMETER	PLATFORM DIAMETER	ABUTMENT INTERFACE
Ø 3.25	8	2.8	3.2	3.0
	10, 11.5, 13, 15	2.7		

Note: all measurements in mm

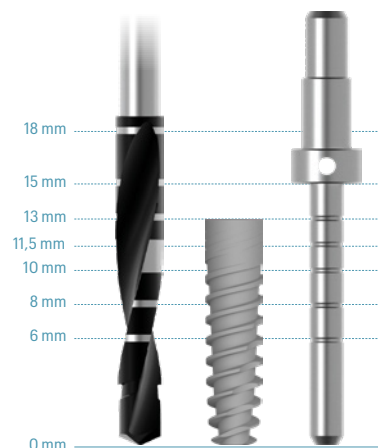


DRILLING SEQUENCE

It is recommended to adhere to the indications of the following drilling sequence to ensure optimal primary stability of the implants

IMPLANT DIAMETER	SOFT BONE TYPE IV	MEDIUM BONE TYPE II-III	DENSE BONE TYPE I
Ø 3.25	1,5 (2)	2 2,4	2 2,4 (2,8)

Note: all measurements in mm

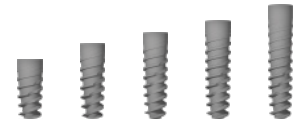


PRODUCT CATALOGUE

Implants:

Ø 3.25

EV32080	JDEvolution S Ø 3.25 L 8
EV32100	JDEvolution S Ø 3.25 L 10
EV32115	JDEvolution S Ø 3.25 L 11.5
EV32130	JDEvolution S Ø 3.25 L 13
EV32150	JDEvolution S Ø 3.25 L 15



Cover Screw:

ESCS	Cover Screw JDEvolution S
------	---------------------------



Healing Abutment:

ESHA323	Healing Abutment Ø 3.2 H 3.0 JDEvolution S
ESHA325	Healing Abutment Ø 3.2 H 5.0 JDEvolution S
ESHA327	Healing Abutment Ø 3.2 H 7.0 JDEvolution S
ESHA403	Healing Abutment Ø 4.0 H 3.0 JDEvolution S
ESHA405	Healing Abutment Ø 4.0 H 5.0 JDEvolution S
ESHA407	Healing Abutment Ø 4.0 H 7.0 JDEvolution S



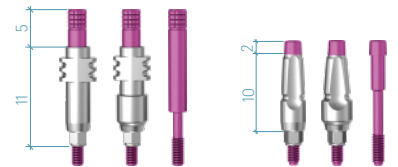
Impression Coping:

OPEN TRAY

ESICOT32C	Impression Coping Open Tray Ø 3.2 JDEvolution S
ESICOT40C	Impression Coping Open Tray Ø 4.0 JDEvolution S
ESICOTS	Impression Coping Open Tray Screw JDEvolution S

CLOSED TRAY

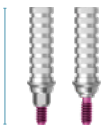
ESICCT32C	Impression Coping Closed Tray Ø 3.2 JDEvolution S
ESICCT40C	Impression Coping Closed Tray Ø 4.0 JDEvolution S
ESICCTS	Impression Coping Closed Tray Screw JDEvolution S



Temporary Abutment:

ESTAEC	Temporary Abutment Engaging JDEvolution S
ESTANEC	Temporary Abutment Non Engaging JDEvolution S

Torque recommended 30 Ncm



Immediate Temporary Abutment:

ESIT15C	Immediate Temporary Abutment JDEvolution S
EVITC	Immediate Temporary Abutment Healing Cap



GP Abutment:

ESGPAE32C	GP Abutment Ø 3.2 JDEvolution S
ESGPAE40C	GP Abutment Ø 4.0 JDEvolution S
ES15GPAE40C	GP Abutment 15° Ø 4.0 JDEvolution S

Torque recommended 30 Ncm



Anatomic Abutment:

ESAA15C	Anatomic Abutment Ø 4.0 H 1.5 JDEvolution S
ESAA30C	Anatomic Abutment Ø 4.0 H 3.0 JDEvolution S

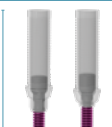
Torque recommended 30 Ncm



Wax up Abutment:

ESWAEC	Wax-Up Abutment Engaging JDEvolution S
ESWANEC	Wax-Up Abutment Non Engaging JDEvolution S

Torque recommended 30 Ncm



Cobalt-Chrome Abutment:

ESCCCEC	Cobalt-Chrome Abutment Engaging JDEvolution S
ESCCNEC	Cobalt-Chrome Abutment Non Engaging JDEvolution S
EVCACCNEC	Cobalt-Chrome Conical Abutment Non Engaging JDEvolution S

Torque recommended 30 Ncm



Prosthetic screw:

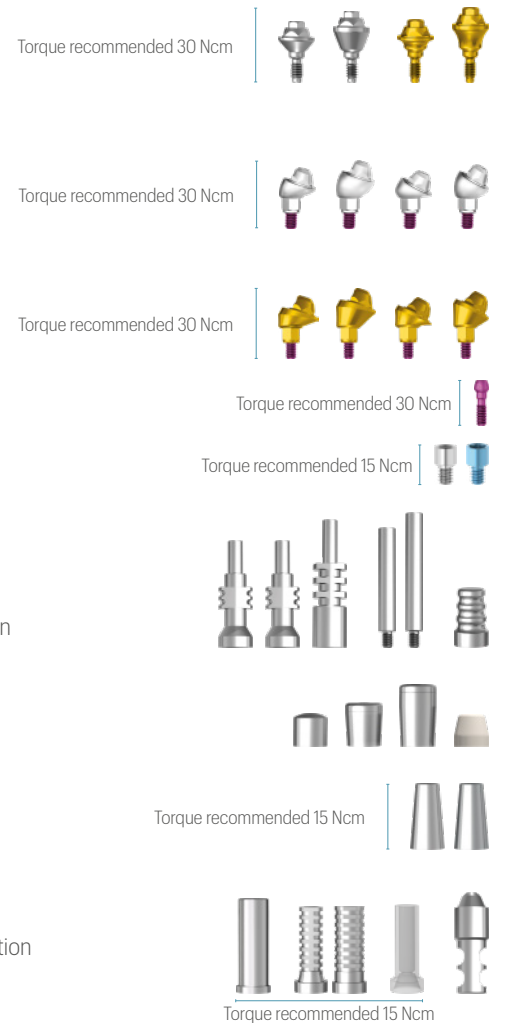
ESS	Prosthetic Screw JDEvolution S
ESSA	Prosthetic Screw Angulated JDEvolution S

Torque recommended 30 Ncm



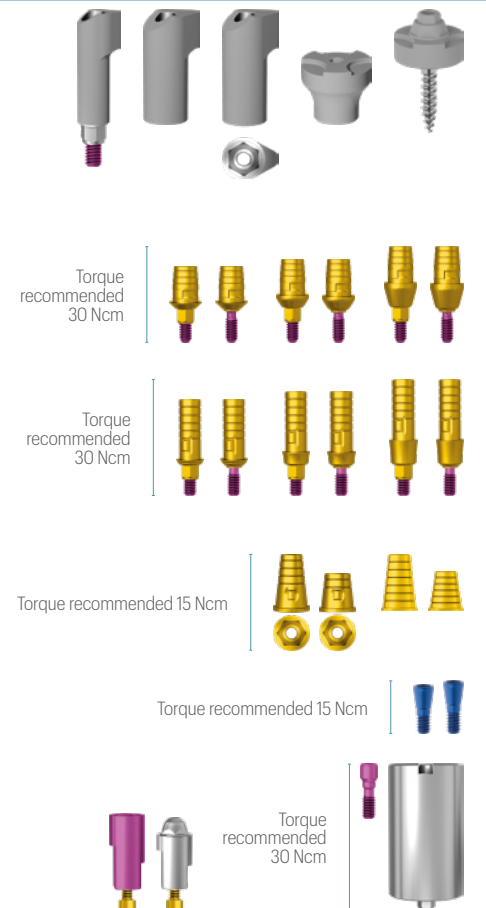
Conical Abutment:

ESCA15C	Straight Conical Abutment H 1.5 JDEvolution S
ESCA30C	Straight Conical Abutment H 3.0 JDEvolution S
ESCA15TSC	Conical Abutment Tissue Straight H 1.5 JDEvolution S
ESCA30TSC	Conical Abutment Tissue Straight H 3.0 JDEvolution S
ESCA1725C	17° Angulated Conical Abutment H 2.5 JDEvolution S
ESCA1735C	17° Angulated Conical Abutment H 3.5 JDEvolution
ESCA3025C	30° Angulated Conical Abutment H 2.5 JDEvolution
ESCA3035C	30° Angulated Conical Abutment H 3.5 JDEvolution S
ESCA1725TSC	Conical Abutment Tissue Angulated 17° H 2.5 JDEvolution S
ESCA1735TSC	Conical Abutment Tissue Angulated 17° H 3.5 JDEvolution S
ESCA3025TSC	Conical Abutment Tissue Angulated 30° H 2.5 JDEvolution S
ESCA3035TSC	Conical Abutment Tissue Angulated 30° H 3.5 JDEvolution S
ESCASA	Angulated Conical Abutment Screw JDEvolution S
EVCAPS	Prosthetic Screw Conical Abutment JDEvolution
EVCAPSA	Prosthetic Screw Angulated for Conical Abutment JDEvolution
EVCAIOTEC	Conical Abutment Impression Coping Open Tray Engaging JDEvolution
EVCAICOTC	Conical Abutment Impression Coping Open Tray JDEvolution
EVCAICOTLC	Conical Abutment Impression Coping Open Tray Long JDEvolution
EVCAICOT02	Screw for Conical Abutment Impression Coping Open Tray JDEvolution
EVCAICOT04	Screw for Conical Abutment Impression Coping Open Tray Long JDEvolution
EVCAICCTC	Conical Abutment Impression Coping Closed Tray
EVAHC	Conical Abutment Healing Cap JDEvolution
EVAHCL	Conical Abutment Healing Cap H 6.0 JDEvolution
EVAHC9	Conical Abutment Healing Cap H 9.0 JDEvolution
EVAHCB	Conical Abutment Healing Cap Peek JDEvolution
EVCAGPAEC	GP Abutment Engaging for Conical Abutment JDEvolution
EVCAGPANEC	GP Abutment Non Engaging for Conical Abutment JDEvolution
EVCATANEWSC	Temporary Abutment Non Engaging Conical Abutment JDEvolution
EVCATANEC	Temporary Abutment Non Engaging Conical Abutment JDEvolution
EVCATANEWC	Temporary Abutment Non Engaging Conical Abutment for Welding JDEvolution
EVCAWANEC	Wax-Up Abutment Non Engaging for Conical Abutment
EVCAR	Conical Abutment Replica



TiBase, JDSanBody and Implant Replica CAD CAM:

ESSBCEC	ScanBody Engaging JDEvolution S
EVCASBCEC	ScanBody Conical Abutment JDEvolution
EVCASBCEEC	ScanBody Engaging Conical Abutment
EVCASBCECSC:	On Top ScanBody Conical Abutment JDEvolution Plus*
JDSGCIOS	ScanBody Full Arch Tracer
ESTIBC	TiBase Engaging Ø4.25 H 0.5 C 4.7 JDEvolution S
ESTIBNEC	TiBase Non Engaging Ø4.25 H 0.5 C 4.7 JDEvolution S
ESTIB15C	TiBase Engaging Ø4.25 H 1.5 C 4.7 JDEvolution S
ESTIB15NEC	TiBase Non Engaging Ø4.25 H 1.5 C 4.7 JDEvolution S
ESTIB30C	TiBase Engaging Ø4.25 H 3.0 C 4.7 JDEvolution S
ESTIB30NEC	TiBase Non Engaging Ø4.25 H 3.0 C 4.7 JDEvolution S
ESTIBNC	TiBase Long Engaging Ø 3.5 H 0.5 C 7.7 JDEvolution S
ESTIBNENC	TiBase Long Non Engaging Ø 3.5 H 0.5 C 7.7 JDEvolution S
ESTIB15NC	TiBase Long Engaging Ø 3.5 H 1.5 C 7.7 JDEvolution S
ESTIB15NENC	TiBase Long Non Engaging Ø 3.5 H 1.5 C 7.7 JDEvolution S
ESTIB30NC	TiBase long Engaging Ø 3.5 H 3.0 C 7.7 JDEvolution S
ESTIB30NENC	TiBase long Non Engaging Ø 3.5 H 3.0 C 7.7 JDEvolution S
EVCAITEC	Interface CAD CAM for Conical Abutment Engaging JDEvolution (H 7.5)
EVA139C	TiBase Engaging for Conical Abutment (H 5.0)
EVCAITC	Interface CAD CAM for Conical Abutment Non Engaging JDEvolution (H 7.3)
EVCATIBC	TiBase for Conical Abutment JDEvolution (H 5.0)
EVS110	Prosthetic Screw Conical Abutment Direct
EVS111	Prosthetic Screw Conical Abutment Direct Long
ESANCN	Implant Replica CAD CAM New JDEvolution S
EVCARCN	Conical Abutment Replica CAD CAM New
ESPMNC	Pre-milled Abutment Blank JDEvolution S



*for screw use JDEvolution Plus prosthetic screwdriver

Implant Replica:

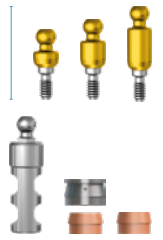
ESAN Implant Replica JDEvolution S



Ball Abutment:

ESBA15 Ball Abutment H 1.5 JDEvolution S
 ESBA30 Ball Abutment H 3.0 JDEvolution S
 ESBA50 Ball Abutment H 5.0 JDEvolution S
 EVBAA Ball Abutment Replica
 EVBAHC Ball Abutment Elastic Retention Cap w/ Container
 EVBAN Ball Abutment Retention Cap

Torque recommended 30 Ncm



Emi Abutment:

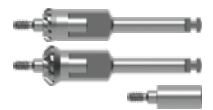
ESEMI15 Emi Abutment H 1.5 JDEvolution S
 ESEMI30 Emi Abutment H 3.0 JDEvolution S
 ESEMI50 Emi Abutment H 5.0 JDEvolution S
 EVEMISCK Smart cap attachment Emi Abutment
 EVEMIHC Emi Abutment Elastic Retention Cap w/ Container
 EVEMIN Emi Abutment Elastic Retention Cap (1.2 kg)
 EVEMIH Emi Abutment Container
 EVEMIIC Emi Abutment Plastic Impression Coping
 EVEMIICS Emi Abutment Steel Impression Coping
 EVEMINT Emi Abutment White Retention Cap (1.8 kg)
 EVEMINY Emi Abutment Yellow Retention Cap (0.6 kg)
 EVEMINP Emi Abutment Purple Retention Cap (2.5 kg)
 EVEMINB Emi Abutment Retention Cap for Laboratory
 EVEMIEIT Extractor-insertion Tool For Caps
 EVEMIA Emi Abutment Replica

Torque recommended 30 Ncm



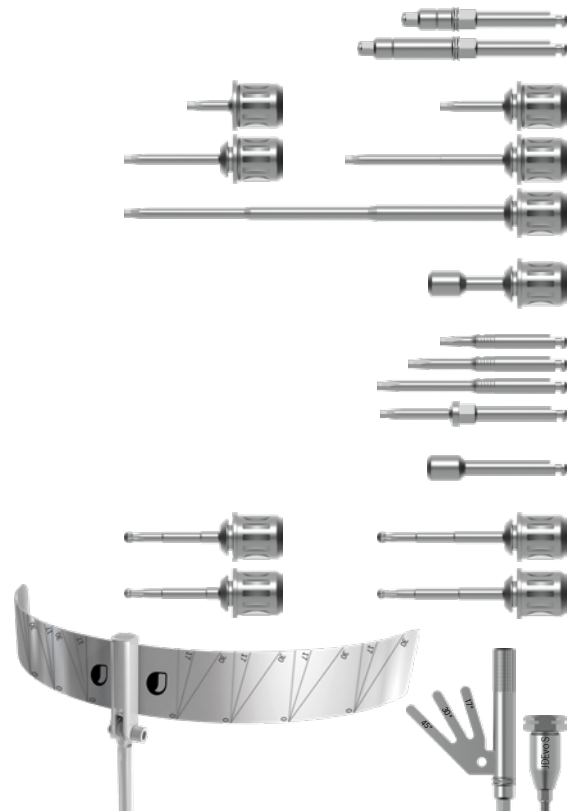
Bone Mill:

ESBM5C Bone Mill Ø 5.0 and Guide JDEvolution S
 ESBM6C Bone Mill Ø 6.0 and Guide JDEvolution S
 JDBM3 Bone Mill Guide JDEvolution S



Implant and Prosthetic Drivers:

ESID Implant Driver JDEvolution S
 ESIDL Implant Driver Long JDEvolution S
 EVSDPF15 Prosthetic Driver for JDTorque L 15
 EVSDPF20 Prosthetic Driver for JDTorque L 20
 EVSDPF25 Prosthetic Driver for JDTorque L 25
 EVSDPF35 Prosthetic Driver for JDTorque L 35
 EVSDPF60 Prosthetic Driver for JDTorque L 60
 EVSDCAF Conical Abutment Driver for JDTorque
 EVSDP20 Prosthetic Driver L 20
 EVSDP25 Prosthetic Driver L 25
 EVSDP30 Prosthetic Driver L 30
 JDPD103 Prosthetic Driver for Surgical Driver
 EVSDCA Conical Abutment Driver
 EVSDPF25A Angulated Screw Driver for JDTorque L 25
 EVSDPF30A Angulated Screw Driver for JDTorque L 30
 EVSDPF25AV Angulated Screw Driver for Conical Abutment Direct JDTorque L 25
 EVSDPF30AV Angulated Screw Driver for Conical Abutment Direct JDTorque L 30
 JDG JDGuide
 ESAMT Conical Abutment Aligning Instrument JDEvolution S
 ESGMC Implant Mounter for JDEvolution S



JDentalCare, the JDentalCare logo and other trademarks mentioned in this document are, excluding specifically mentioned exceptions, trademarks property of JDentalCare.

The images of the products represented in this brochure are not necessarily to scale.

Note: Not all products manufactured by JDentalCare and represented in this brochure have been regulatory cleared/released for sale in all countries and/or have been licensed in accordance with FDA Rules and Regulations.

For more information about current product assortment and availability, please contact your local JDentalCare distributor. For prescription only.

Caution: Federal (US) law restricts this device to sale by or on the other for a licensed dentist.

See instructions for use for more information such as indications, warnings, precaution and contraindications.